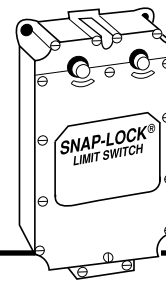


Multi
Station

Limit Switches

Butt Contacts



Limit Switches

The Multiple Station Switch now makes it possible to incorporate from two to four EA700 Namco Series Snap-Lock Limit Switches into a single assembly. Here's a unit that can be adapted to most any application where individual limit switches are mounted side by side. This single assembly reduces installation time, cuts wiring costs and presents a more compact

appearance than individually mounted switches. Furthermore, you can now perform an almost unlimited number of switching functions within a single enclosure by combining the Single Action type switches.

EA760 1 N.O. - 1 N.C. / Butt Contacts / Cam Action

| Part Number | Station 1 | Station 2 | Station 3 | Station 4 | Conduit Diameter** | Angle A Trip Travel | Angle B Reset Travel | Angle C Recom. Travel | Angle D Total Travel | Contact Configuration | Conduit Location | Torque (inch/lbs) |
|------------------------------------|-----------|-----------|-----------|-----------|--------------------|---------------------|----------------------|-----------------------|----------------------|-----------------------|------------------|-------------------|
| STANDARD TRAVEL / 2 STATION | | | | | | | | | | | | |
| EA760-10000* | CW | CW | - | - | 1.50"-11.50 N.P.T. | 18° | 14° | 30° | 90° | B | Bottom | 33 |
| EA760-10001* | CCW | CCW | - | - | 1.50"-11.50 N.P.T. | 18° | 14° | 30° | 90° | B | Bottom | 33 |
| EA760-10005 | CCW | CW | - | - | 0.75" | 13° | 10° | 30° | 90° | A | Left | 16.5 |
| STANDARD TRAVEL / 4 STATION | | | | | | | | | | | | |
| EA760-00265 | CW | CW | CW | CCW | 1.00" | 18° | 14° | 30° | 90° | A | Left | 15 |
| EA760-00445 | CCW | CW | CCW | CCW | 1"-11.50 NPT | 13° | 10° | 30° | 90° | A | L & R | 16.5 |
| EA760-00455 | CW | CW | CCW | CW | 1"-11.50 NPT | 13° | 10° | 30° | 90° | A | L & R | 16.5 |
| EA760-30002 | CW | CW | CCW | CCW | 1.716" | 18° | 14° | 30° | 90° | A | Left | 15 |
| EA760-30003 | CW | CW | CCW | CCW | 1.38" | 18° | 14° | 30° | 90° | A | Left | 15 |
| EA760-30004 | CW | CW | CCW | CCW | 1.38" | 18° | 14° | 30° | 90° | A | Right | 15 |
| EA760-30006 | CW | CW | CCW | CCW | 1"-11.50 NPT | 13° | 10° | 30° | 90° | A | L & R | 16.5 |

* All switch stations are single pole except EA760-10000 and EA760-10001, which are 3 pole.

** Non-threaded, smooth-hole type, except "N.P.T."

Common Switch Characteristics

| MULTI-STATION, SINGLE POLE, STANDARD ENVIRONMENT, BUTT CONTACTS | |
|---|----------------------------|
| NEMA Enclosure Type | 1 |
| Housing Material | Aluminum |
| Ambient Temperature Range*** | -20°C to +90°C |
| Lever Adjustment | 7°30' Increments Thru 360° |
| Contacts | Butt, Silver Alloy, Form Z |

*** EA760-10000 and -10001 rated +20°C to +180°C
EA760-00445, EA760-00455 and EA760-30006 rated 0°C to +150°C

Continuous Current Rating - Amperes

| VOLTAGE | AC | DC |
|---------|------|-----|
| 125 | 20.0 | 5.0 |
| 250 | 15.0 | 1.5 |
| 480 | 10.0 | - |
| 600 | 5.0 | - |

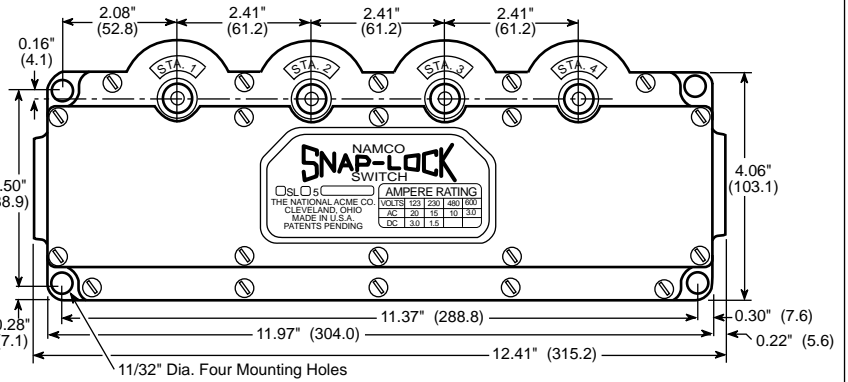
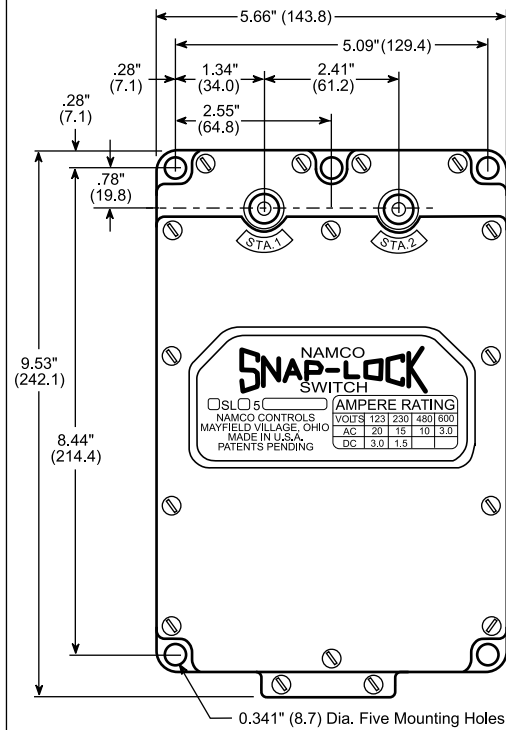
75-100% Power Factor

See Operating Levers Section

TWO STATION - THREE POLE

FOUR STATION - SINGLE POLE

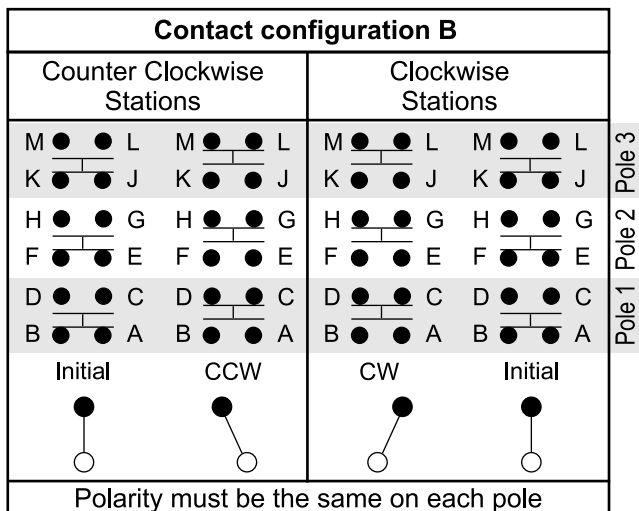
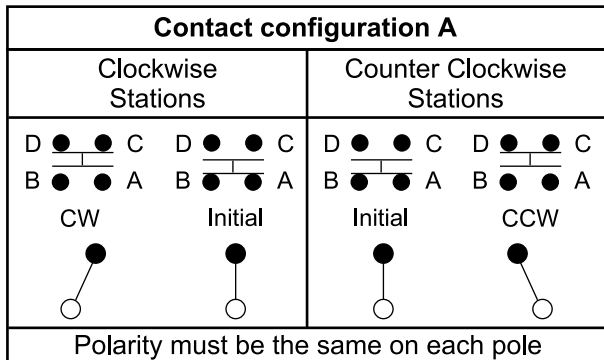
See table on opposite page for location, diameter, and type.



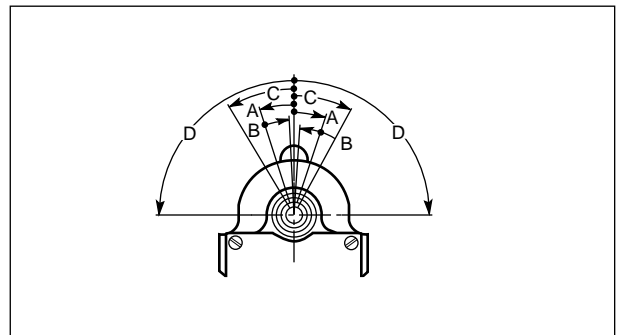
Dimensions: inches/(mm)

Limit Switches

Contact Configurations



Operational Data Drawing

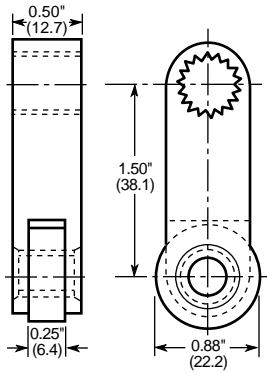


NAMCO

Namco Controls Corporation
Mayfield Village, OH 44143

(440) 460-1360 • FAX (440) 460-3800 • namcocontrols.com

For technical assistance, call 1-800-NAMTECH



Standard Operating Lever
EL010-53420 (D-1260)
(for .500 Dia. Shaft Switches)

For Series:

**EA040, EA060, EA080,
EA130, EA140, EA170,
EA700, EA710, EA730,
EA760, EA770, EA780,
EA790, EA800, EA880,
EA990**

Select the operating lever for your application with regards to dimensions and materials required.

Requests for operating levers not shown should include lever style and all pertinent information as to limit switch number, dimensions, materials, etc.

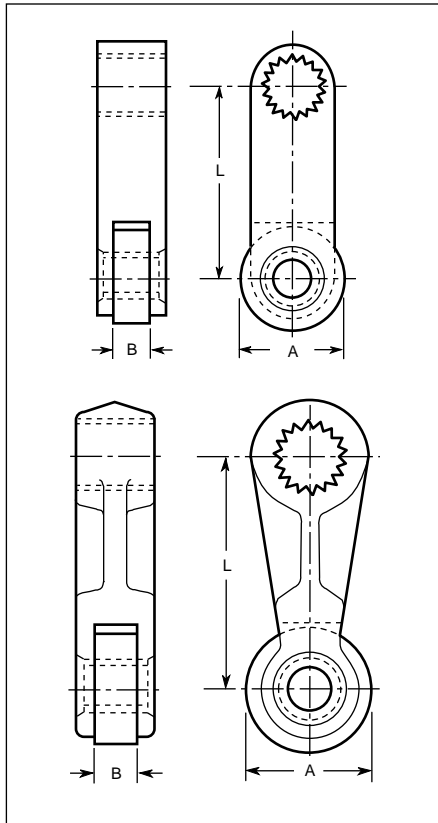
Depending upon your application, levers are available in cold rolled steel, stainless steel, or bronze. Rollers are available in steel, nylon, Beryl Cop., stainless steel or steel ball bearings. Please consult materials column of the lever of your choice.

This style and size operating lever is considered standard for the majority of snap-lock switch installations. The EL010-53420 (D1260) lever is steel with a nylon roller and a stainless steel roller pin. Like all snap-lock levers, the serrated mounting hole matches the serrated lever shaft of the switches to provide fixed adjustment of the lever in 7.5° increments.

For Series EA040, 060, 080,
130, 140, 170, 700, 710,
730, 760, 770, 780, 790,
800, 880, 990

Style R - Regular Straight Type

EL Series



| Ordering Numbers | | | | | Material | |
|------------------|-----------|-------|-------|------|----------|------------|
| Part Number | Reference | L | A | B | Lever | Roller |
| EL060-50320 | D1260BA | 3/4 | 3/4 | 1/4 | C.R.S. | C.R.S. |
| EL060-51319 | — | 1 | 3/4 | 1/4 | C.R.S. | Bryl. Cop. |
| EL060-52321 | D1260GQ | 1-1/4 | 3/4 | 1/4 | C.R.S. | C.R.S. |
| EL060-53923 | D1260BH | 1-1/2 | 1-1/4 | 1/4 | C.R.S. | C.R.S. |
| EL010-53338 | DS1260 | 1-1/2 | 3/4 | 1/4 | Steel | C.R.S. |
| EL060-53300 | — | 1-1/2 | 3/4 | 1/4 | Brass | Bryl. Cop. |
| EL010-53336 | — | 1-1/2 | 3/4 | 1/4 | Steel | S.S. |
| EL010-53337 | — | 1-1/2 | 3/4 | 1/4 | Steel | Bryl. Cop. |
| EL060-53401 | D1260RF | 1-1/2 | 7/8 | 9/32 | Brass | Nylon |
| EL060-53402 | — | 1-1/2 | 7/8 | 9/32 | Brass | Bryl. Cop. |
| EL010-53420 | D1260 | 1-1/2 | 7/8 | 9/32 | Steel | Nylon |
| EL010-53429 | D1260Y | 1-1/2 | 7/8 | 9/32 | Steel | B.B. |
| EL060-53536 | D1260Z | 1-1/2 | 1 | 1/4 | C.R.S. | C.R.S. |
| EL060-53926 | D1260CL | 1-1/2 | 1-3/8 | 1/4 | C.R.S. | C.R.S. |
| EL060-55327 | D1260E | 2 | 3/4 | 1/4 | C.R.S. | C.R.S. |
| EL060-55300 | — | 2 | 3/4 | 1/4 | C.R.S. | Bryl. Cop. |
| EL060-55520 | D1260AC | 2 | 1 | 1/4 | C.R.S. | C.R.S. |
| EL060-55601 | — | 2 | 1 | 1/4 | C.R.S. | Bryl. Cop. |
| EL060-55530 | D1260RT | 2 | 1 | 1/4 | Brass | Bryl. Cop. |
| EL060-55927 | D1260GT | 2 | 1-1/2 | 1/4 | C.R.S. | C.R.S. |
| EL060-50321 | D1260BC | 2-1/8 | 3/4 | 1/4 | C.R.S. | C.R.S. |
| EL060-50501 | D1260B | 2-1/8 | 1 | 1/4 | C.R.S. | C.R.S. |
| EL060-50334 | D1260M | 2-1/4 | 3/4 | 1/4 | C.R.S. | C.R.S. |
| EL060-59300 | D1260KC | 2-3/8 | 3/4 | 1/4 | C.R.S. | C.R.S. |
| EL010-56427 | D1260K | 2-1/2 | 7/8 | 9/32 | Steel | Nylon |
| EL010-56334 | DS1260K | 2-1/2 | 3/4 | 1/4 | Steel | C.R.S. |
| EL010-55421 | D1260DF | 2-1/2 | 1 | 1/4 | C.R.S. | C.R.S. |
| EL060-56500 | D1260RR | 2-1/2 | 1 | 1/4 | Brass | Bryl. Cop. |
| EL060-56920 | D1260CP | 2-1/2 | 1-1/2 | 1/4 | C.R.S. | C.R.S. |
| EL060-50322 | D1260BD | 2-3/4 | 3/4 | 1/4 | C.R.S. | C.R.S. |
| EL060-57300 | — | 2-3/4 | 3/4 | 1/4 | C.R.S. | Bryl. Cop. |
| EL010-58300 | — | 3 | 3/4 | 1/4 | Steel | Bryl. Cop. |
| EL010-58337 | DS1260L | 3 | 3/4 | 1/4 | Steel | C.R.S. |
| EL060-58305 | — | 3 | 3/4 | 1/4 | Brass | Bryl. Cop. |
| EL010-58400 | — | 3 | 7/8 | 9/32 | Steel | Bryl. Cop. |
| EL010-58423 | D1260L | 3 | 7/8 | 9/32 | Steel | Nylon |
| EL010-58451 | — | 3 | 7/8 | 9/32 | Steel | C.R.S. |
| EL060-58401 | — | 3 | 7/8 | 9/32 | Brass | Nylon |
| EL060-58403 | D1260VQ | 3 | 7/8 | 9/32 | S.S. | Bryl. Cop. |
| EL010-58521 | D1260CJ | 3 | 1 | 1/4 | Steel | C.R.S. |
| EL010-58522 | — | 3 | 1 | 1/4 | C.R.S. | Bryl. Cop. |
| EL010-58923 | D1260CN | 3 | 1-1/4 | 1/4 | Steel | C.R.S. |
| EL060-58923 | — | 3 | 1-1/4 | 1/4 | Brass | Steel |
| EL010-58900 | D1260VR | 3 | 1-1/2 | 1/4 | Steel | Nylon |
| EL010-58920 | D1260AE | 3 | 1-1/2 | 1/4 | Steel | C.R.S. |
| EL060-58320 | D1260BB | 3-1/2 | 3/4 | 1/4 | C.R.S. | C.R.S. |
| EL060-58431 | D1260AP | 3-1/2 | 1 | 1/4 | C.R.S. | C.R.S. |
| EL060-58932 | — | 3-1/2 | 3/4 | 1/4 | Brass | Bryl. Cop. |
| EL060-58930 | — | 3-1/2 | 1-1/2 | 1/4 | Brass | Bryl. Cop. |
| EL060-58326 | D1260C | 4 | 3/4 | 1/4 | C.R.S. | C.R.S. |
| EL060-58304 | D1260WD | 4 | 3/4 | 1/4 | C.R.S. | Bryl. Cop. |
| EL060-50523 | D1260BL | 4 | 1 | 1/4 | C.R.S. | C.R.S. |
| EL060-58925 | — | 4 | 1-1/4 | 1/4 | Brass | Bryl. Cop. |
| EL060-58920 | D1260AB | 4 | 1-1/2 | 1/4 | C.R.S. | C.R.S. |
| EL060-58901 | — | 4 | 1-1/2 | 9/32 | C.R.S. | Nylon |
| EL060-50335 | D1260N | 5 | 3/4 | 1/4 | C.R.S. | C.R.S. |
| EL060-50925 | D1260BW | 5 | 1-1/2 | 1/4 | C.R.S. | C.R.S. |
| EL060-50305 | D1260CQ | 6 | 3/4 | 1/4 | C.R.S. | C.R.S. |
| EL060-50338 | — | 6 | 3/4 | 1/4 | C.R.S. | Bryl. Cop. |
| EL060-50930 | D1260JE | 6 | 1-1/4 | 1/4 | C.R.S. | C.R.S. |
| EL060-50703 | D1260KD | 6 | 3 | 1/4 | C.R.S. | C.R.S. |

All dimensions are in inches.



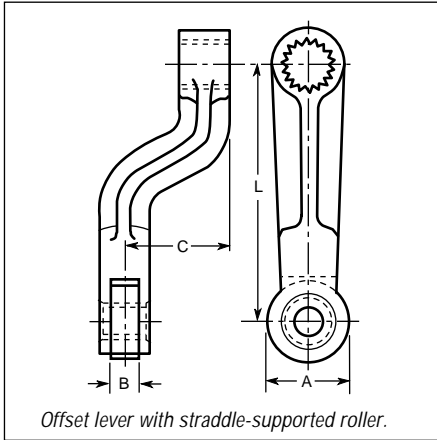
Namco Controls Corporation

Mayfield Village, OH 44143

(440) 460-1360 • FAX (440) 460-3800 • namcocontrols.com

For technical assistance, call 1-800-NAMTECH

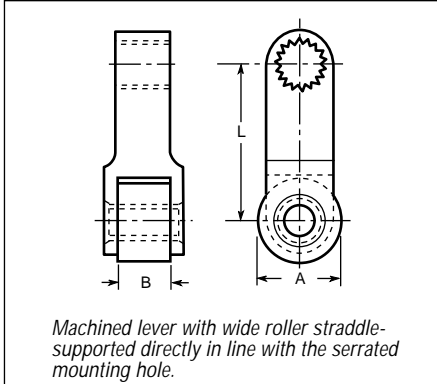
For Series EA040, 060, 080, 130,
140, 170, 700, 710, 730, 760,
770, 780, 790, 800, 880, 990 Only



Style RLO - Regular Lever Offset Type

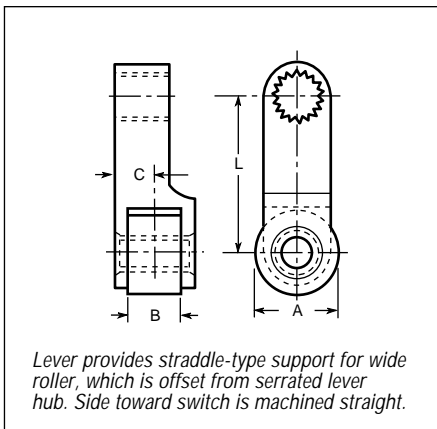
| Ordering Numbers | | | | | | Material | |
|------------------|-----------|-------|-------|-----|--------|-----------|--------|
| Part Number | Reference | L | A | B | C | Lever | Roller |
| *EL020-53326 | D1260GX | 1-1/2 | 3/4 | 1/4 | 1-1/4 | Mang. Br. | Steel |
| *EL020-53325 | D1260GU | 1-1/2 | 3/4 | 1/4 | 1-3/16 | Mang. Br. | Steel |
| EL020-55327 | D1260HZ | 2 | 3/4 | 1/4 | 1-1/8 | Mang. Br. | Steel |
| *EL020-55300 | D1260JD | 2 | 3/4 | 1/4 | 1-1/2 | Mang. Br. | Steel |
| EL020-56320 | D1260BT | 2-1/2 | 3/4 | 1/4 | 1 | Mang. Br. | Steel |
| *EL020-56321 | D1260DW | 2-1/2 | 3/4 | 1/4 | 2-1/4 | Mang. Br. | Steel |
| EL020-56421 | D1260DG | 2-1/2 | 1 | 1/4 | 1 | Mang. Br. | Steel |
| EL020-58922 | D1260FT | 3 | 1-1/4 | 1/4 | 1-1/4 | Mang. Br. | Steel |
| EL020-58923 | — | 3 | 1-1/4 | 1/4 | 1-1/4 | Mang. Br. | S.S. |
| EL020-59900 | D1260AY | 5-1/2 | 1-1/2 | 1/4 | 1-3/4 | C.R.S. | Steel |

*On Series EA040/060/080/170, Lever will not clear top of switch when mounted with Roller facing the rear.



Style RW - Wide Roller Regular Type

| Ordering Numbers | | | | | | Material | |
|------------------|-----------|-------|-------|-----|--------|------------|--|
| Part Number | Reference | L | A | B | Lever | Roller | |
| EL070-53501 | D1260AJ | 1-1/2 | 1 | 1/2 | C.R.S. | Bryl. Cop. | |
| EL070-50507 | D1260CY | 1-5/8 | 1 | 1/2 | C.R.S. | Bryl. Cop. | |
| EL070-56921 | D1260DY | 2-1/2 | 1-1/4 | 1/2 | C.R.S. | Steel | |
| EL060-00024 | D1260AL | 3 | 1-1/2 | 1/2 | C.R.S. | Steel | |
| EL070-50921 | D1260BE | 4 | 1-1/4 | 1/2 | C.R.S. | Steel | |

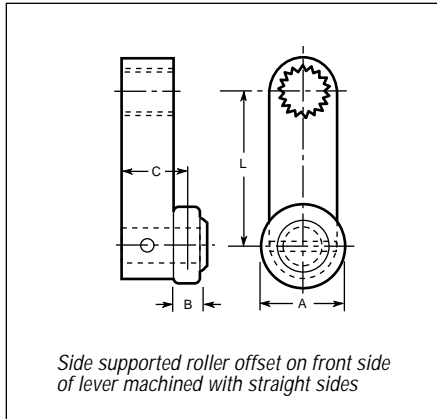


Style RWO - Wide Roller Offset Type

| Ordering Numbers | | | | | | Material | |
|------------------|-----------|-------|-------|-----|-----|-----------|------------|
| Part Number | Reference | L | A | B | C | Lever | Roller |
| EL080-53329 | D1260R | 1-1/2 | 3/4 | 1/2 | 3/8 | Mang. Br. | Steel |
| EL080-53932 | D1260P | 1-1/2 | 1-1/2 | 1/2 | 3/8 | C.R.S. | Steel |
| EL080-55323 | D1260FR | 2 | 3/4 | 1/2 | 3/8 | C.R.S. | Steel |
| EL080-54905 | D1260DD | 2 | 1-1/2 | 1/2 | 3/8 | C.R.S. | C.R.S. |
| EL080-56301 | D1260AH | 2-1/2 | 3/4 | 1/2 | 3/8 | C.R.S. | Steel |
| EL080-56305 | — | 2-1/2 | 3/4 | 1/2 | 3/8 | C.R.S. | Bryl. Cop. |
| EL080-58322 | D1260GN | 3 | 3/4 | 1/2 | 3/8 | C.R.S. | Steel |
| EL080-58901 | D1260DE | 3 | 1-1/2 | 1/2 | 3/8 | C.R.S. | Steel |
| EL080-58906 | D1260DZ | 3-1/2 | 1-1/2 | 1/2 | 3/8 | C.R.S. | Steel |
| EL080-58909 | D1260HA | 4 | 1-1/2 | 1/2 | 3/8 | C.R.S. | Steel |
| EL080-50924 | D1260BS | 6 | 1-1/2 | 1/2 | 3/8 | C.R.S. | Steel |

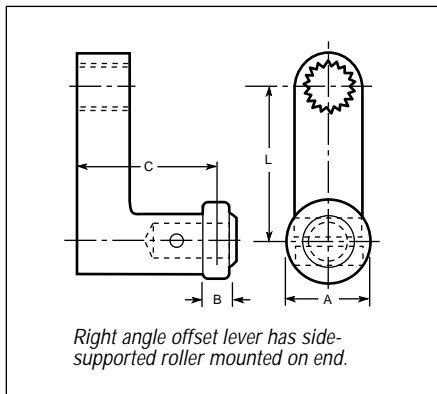
For Series EA040, 060, 080, 130,
140, 170, 700, 710, 730, 760,
770, 780, 790, 800, 880, 990 Only

EL Series



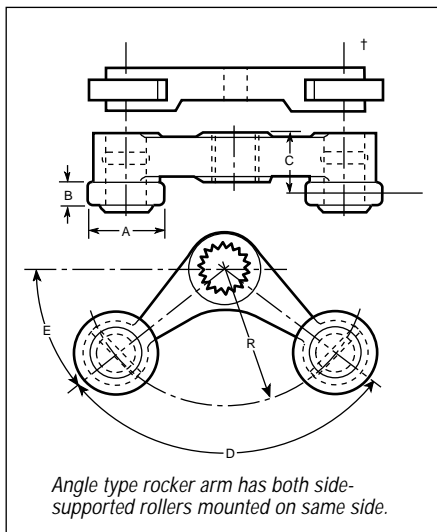
Style S - Side Roller Type

| Ordering Numbers | | | | | | Material | |
|------------------|-----------|-------|-------|-----|-----|----------|------------|
| Part Number | Reference | L | A | B | C | Lever | Roller |
| EL150-53303 | — | 1-1/2 | 3/4 | 3/4 | 7/8 | C.R.S. | Bryl. Cop. |
| EL150-53301 | D1260A | 1-1/2 | 3/4 | 1/4 | 5/8 | C.R.S. | Steel |
| EL150-53300 | D1260DU | 1-1/2 | 3/4 | 3/4 | 7/8 | C.R.S. | Steel |
| EL150-53901 | D1260HV | 1-1/2 | 1-1/4 | 1/4 | 5/8 | C.R.S. | Steel |
| EL150-55300 | — | 2 | 3/4 | 1/2 | 3/4 | C.R.S. | Bryl. Cop. |
| EL150-55303 | D1260DT | 2 | 3/4 | 1/4 | 5/8 | C.R.S. | Steel |
| EL150-55301 | D1260JJ | 2 | 3/4 | 1/2 | 3/4 | C.R.S. | C.R.S. |
| EL150-56300 | D1260DX | 2-1/2 | 3/4 | 1/4 | 5/8 | C.R.S. | C.R.S. |
| EL150-56500 | — | 2-1/2 | 1 | 1/2 | 3/4 | C.R.S. | S.S. |
| EL150-57300 | D1260DO | 2-3/4 | 3/4 | 1/4 | 5/8 | C.R.S. | C.R.S. |
| EL150-58901 | — | 4 | 1-1/4 | 1/4 | 5/8 | Bronze | Nylon |
| EL150-58902 | — | 4 | 1-1/4 | 1/4 | 5/8 | Bronze | Steel |



Style SLO - Side Roller Lever Offset Type

| Ordering Numbers | | | | | | Material | |
|------------------|-----------|-------|-----|-----|-------|----------|------------|
| Part Number | Reference | L | A | B | C | Lever | Roller |
| EL090-53324 | D1260GZ | 1-1/2 | 3/4 | 1/4 | 1 | Bronze | Steel |
| EL090-53336 | — | 1-1/2 | 3/4 | 1/4 | 1-3/8 | Bronze | Nylon |
| EL090-53321 | D1260CT | 1-1/2 | 3/4 | 1/4 | 1-3/8 | Bronze | Steel |
| EL090-53322 | — | 1-1/2 | 3/4 | 1/4 | 1-3/8 | Bronze | Bryl. Cop. |
| EL090-53328 | D1260GV | 1-1/2 | 3/4 | 1/4 | 2 | Bronze | Steel |



Style TS - Two Roller Same Side

| Ordering Numbers | | | | | | | Material | | |
|------------------|-----------|-------|-------|-----|-----|---------|----------|--------|------------|
| Part Number | Reference | R | A | B | C | D | E | Lever | Roller |
| EL040-50327 | D1260CM | 1-3/8 | 3/4 | 1/4 | 5/8 | 107°34' | 36° | Bronze | Steel |
| EL040-50328 | D1260JQ | 1-3/8 | 3/4 | 1/2 | 3/4 | 107°34' | 36° | Bronze | Steel |
| †EL040-58904 | D1260JH | 3 | 1-1/2 | 1/2 | 3/4 | 150° | 15° | Bronze | Steel |
| †EL040-58905 | — | 3 | 1-1/2 | 1/2 | 3/4 | 150° | 15° | Bronze | Bryl. Cop. |

NAMCO

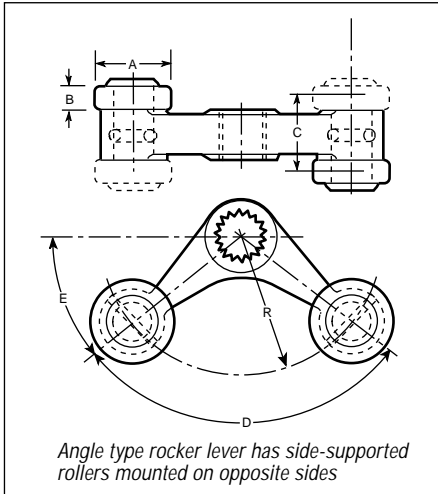
Namco Controls Corporation

Mayfield Village, OH 44143

(440) 460-1360 • FAX (440) 460-3800 • namcocontrols.com

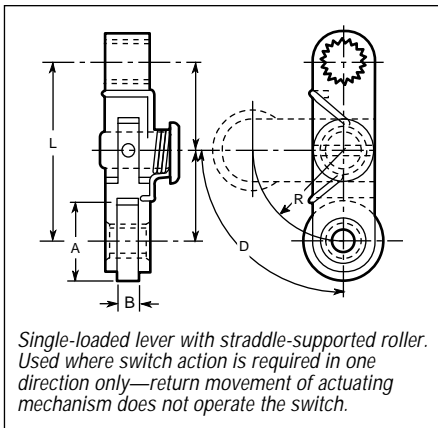
For technical assistance, call 1-800-NAMTECH

For Series EA040, 060, 080, 130,
140, 170, 700, 710, 730, 760,
770, 780, 790, 800, 880, 990 Only



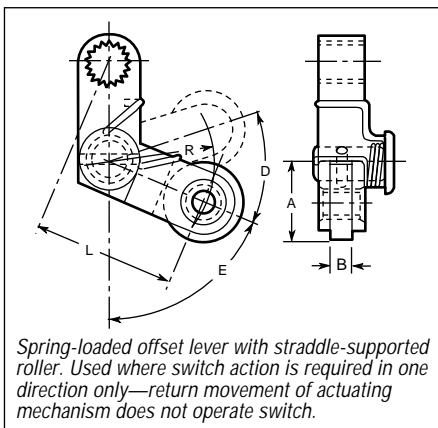
Style TSO - Two Roller Opposite Side

| Ordering Numbers | | | | | | | | Material | |
|------------------|-----------|-------|-----|-----|-------|---------|--------|----------|--------|
| Part Number | Reference | R | A | B | C | D | E | Lever | Roller |
| EL030-50301 | D1260AA | 1-3/8 | 3/4 | 1/4 | 3/4 | 107°34' | 36°13' | Bronze | Steel |
| EL030-50302 | D1260DH | 1-3/8 | 3/4 | 1/2 | 1 | 107°34' | 36°13' | Bronze | Steel |
| EL030-52322 | D1260DQ | 1-1/2 | 3/4 | 3/4 | 1-1/4 | 90° | 45° | Bronze | Steel |



Style KR - Knee Action Straight Type

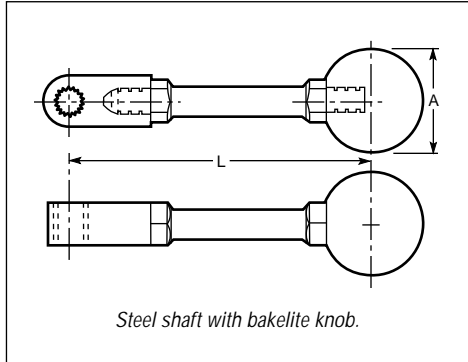
| Ordering Numbers | | | | | | | Material | |
|------------------|-----------|---|-----|-----|-----|---|----------|------------|
| Part Number | Reference | R | A | B | D | L | Lever | Roller |
| EL100-55401 | D1260JM | 1 | 7/8 | 1/4 | 90° | 2 | Steel | Steel |
| EL100-55402 | — | 1 | 7/8 | 1/4 | 90° | 2 | Steel | Bryl. Cop. |
| EL100-55403 | — | 1 | 7/8 | 1/4 | 90° | 2 | Steel | S.S. |



Style KRO - Knee Action Offset Type

| Ordering Numbers | | | | | | | Material | | |
|------------------|-----------|-------|-----|-----|--------|--------|----------|-------|--------|
| Part Number | Reference | R | A | B | D | E | L | Lever | Roller |
| EL110-50401 | D1260JV | 1-1/8 | 7/8 | 1/4 | 41°30' | 67°30' | 1-7/8 | Steel | Steel |

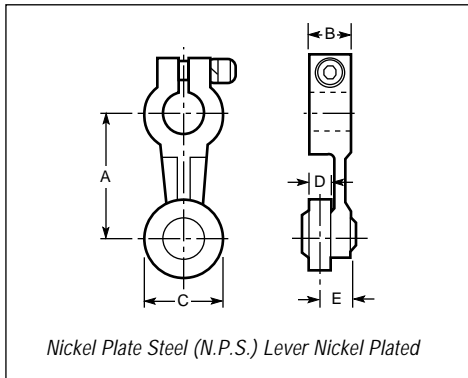
For Series EA040, 060, 080, 130,
140, 170, 700, 710, 730, 760,
770, 780, 790, 800, 880, 990 Only



Style M - Manual Type

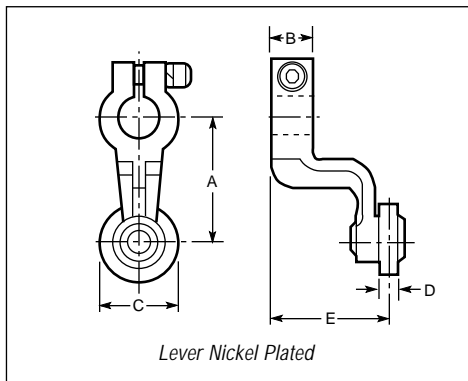
| Ordering Numbers | | | | Material | |
|------------------|-----------|--------|-------|----------|----------|
| Part Number | Reference | L | A | Lever | Knob |
| EL050-58900 | D1260EP-3 | 3 | 1-3/8 | Steel | Bakelite |
| EL050-59901 | D1260EP-1 | 4-1/16 | 1-3/8 | Steel | Bakelite |
| EL050-59900 | D1260EP | 6-5/16 | 1-3/8 | Steel | Bakelite |

For Series EA700, 710, 730, 760,
770, 780, 790, 800, 880, 990 Only



Straight

| Ordering Numbers | | | | | | Material | | |
|------------------|-----------|-------|-----|-----|------|----------|-------|--------|
| Part Number | Reference | A | B | C | D | E | Lever | Roller |
| EL010-62401 | SL-160 | 1-1/2 | 1/2 | 7/8 | 9/32 | 25/64 | Zinc | Steel |
| EL010-63414 | SL-160K | 1-1/2 | 1/2 | 7/8 | 9/32 | 25/64 | Zinc | S.S. |
| EL010-63415 | SL-160N | 1-1/2 | 1/2 | 7/8 | 9/32 | 25/64 | Zinc | Nylon |



Offset

| Ordering Numbers | | | | | | Material | | |
|------------------|-----------|-------|-----|-----|------|----------|-------|--------|
| Part Number | Reference | A | B | C | D | E | Lever | Roller |
| EL020-63412 | SL-160C | 1-1/2 | 1/2 | 7/8 | 9/32 | 1-7/16 | Zinc | Steel |
| EL020-63414 | SL-160L | 1-1/2 | 1/2 | 7/8 | 9/32 | 1-7/16 | Zinc | Nylon |
| EL020-63415 | SL-160S | 1-1/2 | 1/2 | 7/8 | 9/32 | 1-7/16 | Zinc | S.S. |

NAMCO

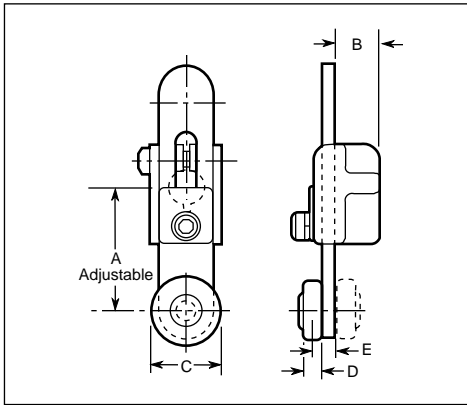
Namco Controls Corporation

Mayfield Village, OH 44143

(440) 460-1360 • FAX (440) 460-3800 • namcocontrols.com

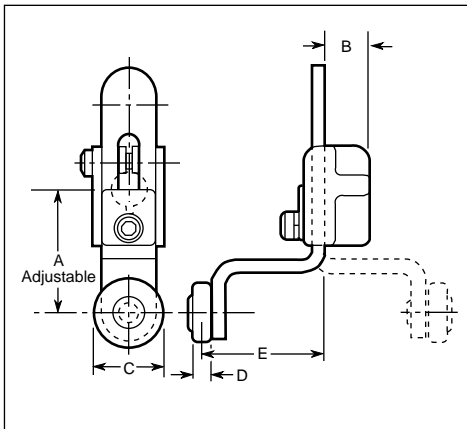
For technical assistance, call 1-800-NAMTECH

For Series EA700, 710, 730, 760,
770, 780, 790, 800, 880, 990 Only



Adjustable Straight

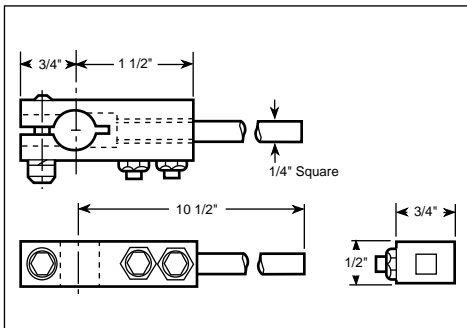
| Ordering Numbers | | | | | | | Material | | |
|------------------|-----------|---------|-------|-----|------|-------|----------|--------|--|
| Part Number | Reference | A | B | C | D | E | Lever | Roller | |
| EL120-60400 | SL-170A | 1-3/4-3 | 21/32 | 7/8 | 9/32 | 11/32 | Steel | Steel | |
| EL120-60600 | SL-170C | 1-7/8-3 | 21/32 | 2 | 9/32 | 11/32 | Steel | Steel | |
| EL120-69415 | SL-170K | 1-3/4-3 | 21/32 | 7/8 | 9/32 | 11/32 | Steel | Nylon | |
| EL120-69421 | SL-170R | 3-3/4-5 | 21/32 | 7/8 | 9/32 | 11/32 | Steel | Steel | |
| EL120-60601 | — | 3-3/4-5 | 21/32 | 2 | 9/32 | 11/32 | Steel | Steel | |



Adjustable Offset

| Ordering Numbers | | | | | | | Material | | |
|------------------|-----------|---------|-------|-----|-------|---------|----------|--------|--|
| Part Number | Reference | A | B | C | D | E | Lever | Roller | |
| EL130-64410 | SL-170 | 1-3/4-3 | 21/32 | 7/8 | 9/32 | 1-25/32 | Steel | Steel | |
| EL130-69410 | SL-170D | 1-3/4-3 | 21/32 | 7/8 | 9/32 | 1-25/32 | Steel | Nylon | |
| EL130-69412 | SL-170F | 1-3/4-3 | 21/32 | 7/8 | 9/32 | 2-3/8 | Steel | Steel | |
| EL130-69413 | SL-170G | 1-3/4-3 | 21/32 | 7/8 | 9/32 | 3-1/2 | Steel | Steel | |
| EL130-69414 | SL-170J | 1-3/4-3 | 21/32 | 7/8 | 9/32 | 15/16 | Steel | Steel | |
| *EL130-69411 | SL-170E | 1-3/4-3 | 21/32 | 7/8 | 9/32 | 1-9/32 | Steel | Steel | |
| EL130-20401 | — | 1-3/4-3 | 21/32 | 7/8 | 17/64 | 3-1/2 | Steel | Nylon | |

*Roller mounted on opposite side

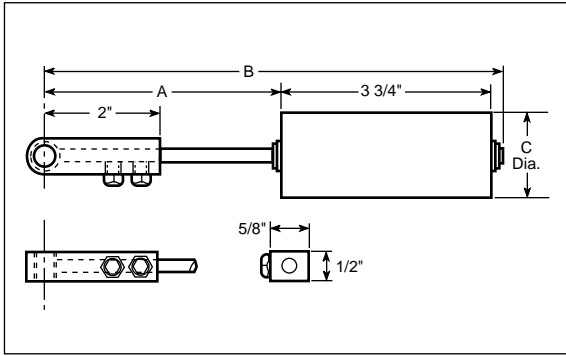


Rod Lever

| Ordering Numbers | | | |
|------------------|-----------|--|-----------|
| Part Number | Reference | Dimensions | Material |
| EL140-69917 | SL170M-1 | Other rod lengths available to suit requirements | Steel Rod |

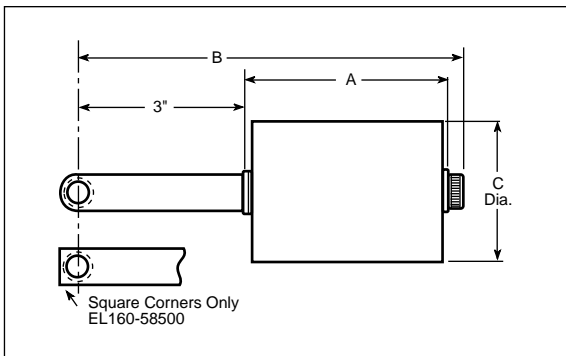
EL Series

For Series EA040, 060, 080, 130,
140, 170, 700, 710, 730, 760, 770,
780, 790, 800, 880, 990 Only



Style VR - Belt Mis-Alignment Lever-Adjustable

| Ordering Number | "A" | "B" | "C" | Material | |
|-----------------|--------------|-------|-------|----------|--------|
| | (Adjustable) | Max. | Dia. | Lever | Roller |
| EL140-58500 | 4.45/3.82" | 8.38" | 1.50" | Steel | Delrin |
| EL140-58600 | 4.45/3.82" | 8.38" | 2.50" | Steel | Delrin |



Style YR - Belt Mis-Alignment Lever

| Ordering Number | "A" | "B" | "C" | Material | |
|-----------------|-------|-------|-------|----------|--------|
| | | Max. | Dia. | Lever | Roller |
| EL160-58500 | 2.24" | 5.64" | 1.25" | Steel | Nylon |
| EL160-58600 | 3.50" | 6.90" | 2.50" | Steel | Nylon |

Limit Switches

NAMCO

Namco Controls Corporation
Mayfield Village, OH 44143
(440) 460-1360 • FAX (440) 460-3800 • namcocontrols.com

For technical assistance, call 1-800-NAMTECH